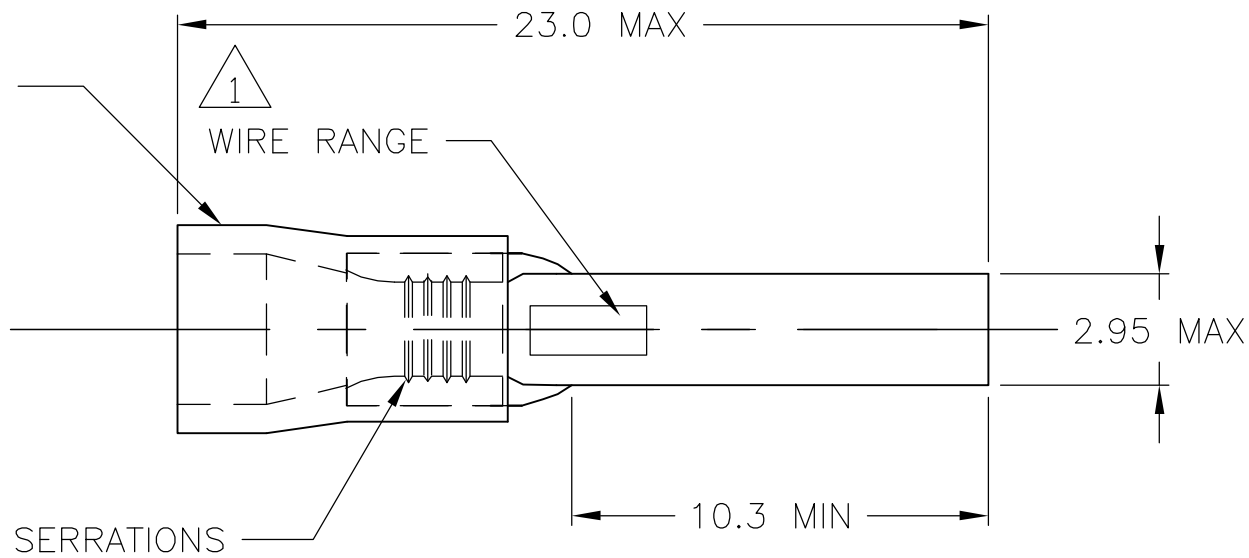


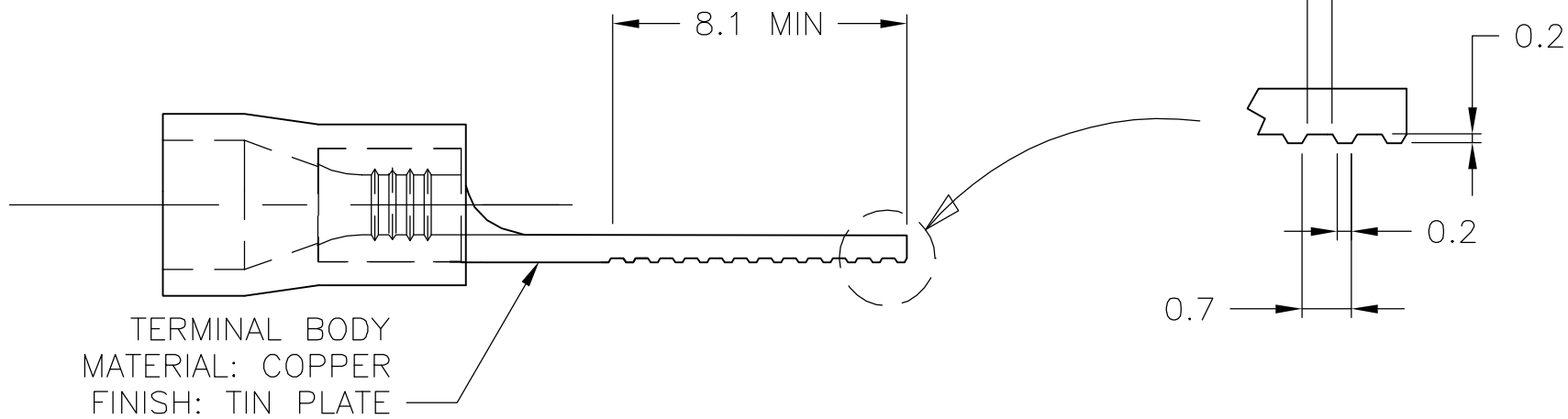
THIS DRAWING IS UNPUBLISHED. RELEASED FOR PUBLICATION  
 © COPYRIGHT BY TYCO ELECTRONICS CORPORATION. ALL RIGHTS RESERVED.

LOC	DIST	REVISIONS			
P	LTR	DESCRIPTION	DATE	DWN	APVD
G	02	D1	REV PER ECR 06-006559	29MAR06	JR TM

INSULATION SLEEVE  
 MATERIAL: PVC  
 COLOR: RED



- 1 WIRE SIZE IS 22-16 AWG
- 2 WIRE INSULATION DIA: 2.7-3.6
- 3 MATERIAL THICKNESS IS 0.80±0.05
- 4 600 VOLT MAX
- 5 CIRCULAR MIL AREA:  
509-3,260 (0.26mm<sup>2</sup>-1.65mm<sup>2</sup>)



PLASTIC BAG	STANDARD	1000	131443
PACKAGING	LABELLING	QTY	PART NO

THIS DRAWING IS A CONTROLLED DOCUMENT.		DWN jr_ruth 29MAR06	Tyco Electronics Corporation Harrisburg, PA 17105-3608	
DIMENSIONS: mm		CHK T MICHELUTTI 28MAR06		
TOLERANCES UNLESS OTHERWISE SPECIFIED:		APVD T MICHELUTTI 28MAR06	NAME TERMINAL, PIN, PLASTI-GRIP,	
0 PLC ± - 1 PLC ± 0.5 2 PLC ± - 3 PLC ± - 4 PLC ± - ANGLES ± 1°		PRODUCT SPEC -	-	
MATERIAL -		FINISH -	APPLICATION SPEC -	RESTRICTED TO -
		WEIGHT -	SIZE A3	CAGE CODE 00779
		CUSTOMER DRAWING	DRAWING NO 131443	REV D1
			SCALE 5:1	SHEET 1 OF 1